



High-frequency transformer

EE20 Series

Parameters/Dimensions:

EE20 Type 1

Information:

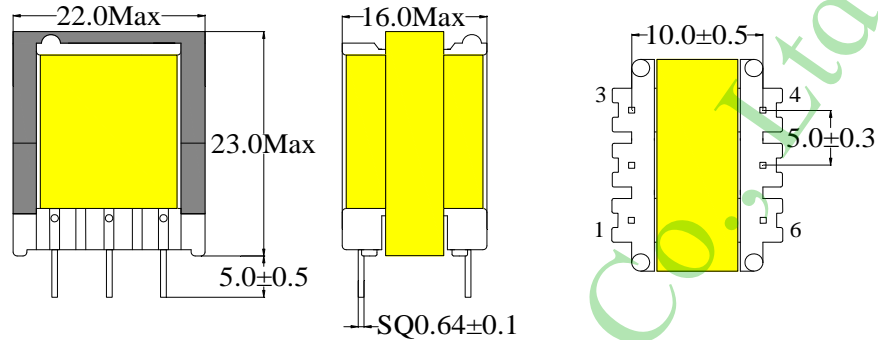
Shape:EE20

1 Power:15W

2 Mounting Orientation:Vertical

3 Size: 22(W) * 23 (L) * 16 (H)

4 Effective Ae (mm²): 23~60



EE20 Type 2

Information:

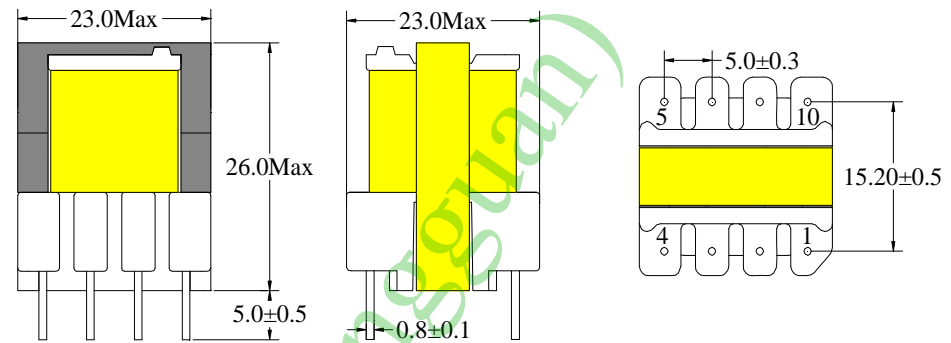
Shape:EE20

1 Power:15W

2 Mounting Orientation:Vertical

3 Size: 24.5(W) * 19 (L) * 22 (H)

4 Effective Ae (mm²): 23~60



EE20 Type 3

Information:

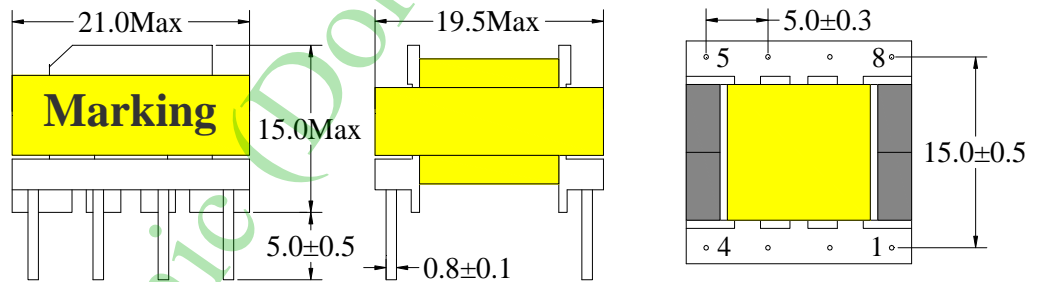
Shape:EE20

1 Power:15W

2 Mounting Orientation:Vertical

3 Size: 24.5(W) * 19 (L) * 22 (H)

4 Effective Ae (mm²): 23~60



EE20 Type 4

Information:

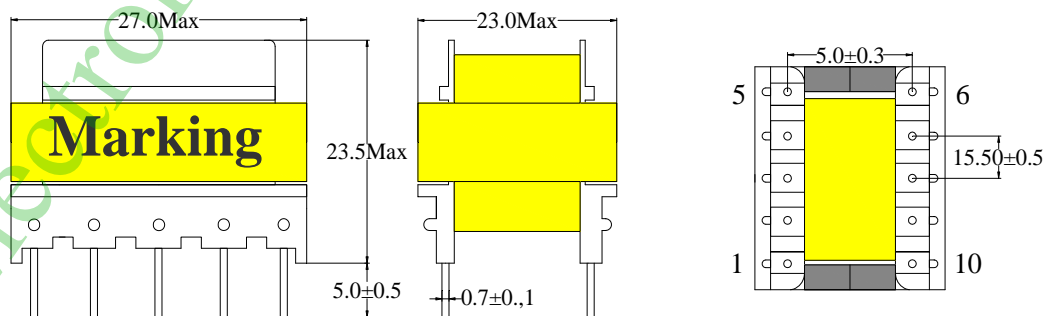
Shape:EE20

1 Power:15W

2 Mounting Orientation:Vertical

3 Size: 27 (W) * 23 (L) * 23.5(H)

4 Effective Ae (mm²): 23~60



Note:

Bobbin type listed in the traditional style, transformer design parameters to customer needs or to inject prevail.

EE series high-frequency transformer features:

Lead space, easy winding wire. Applicable to a wide range of high frequency, wide operating voltage range, output power, good thermal stability

Uses:

Program-controlled switches are widely used in power supplies, LCD power supply, UPS power inverter power supply, computer power, energy-saving lamps and other fields.